

W5

4G Ai 4CH-Dashcam with Full Featured Telematics



LTE Cat4 network



512GB



Wifi Tool&hospot



DMS



Loop Recording



GNSS



ADAS



Face ID



HEVC



FOTA

W5 is an intelligent video terminal designed specifically for small and medium-sized vehicles. It has the advantages of small size, high integration, and simple installation. This product has 1.2T NPU computing power and can support ADAS and DMS functions at the same time. It can be used in taxis, online car-hailing and small and medium-sized logistics vehicles.

Application



Taix/Car-hailing



Logistics



Vehicle rental

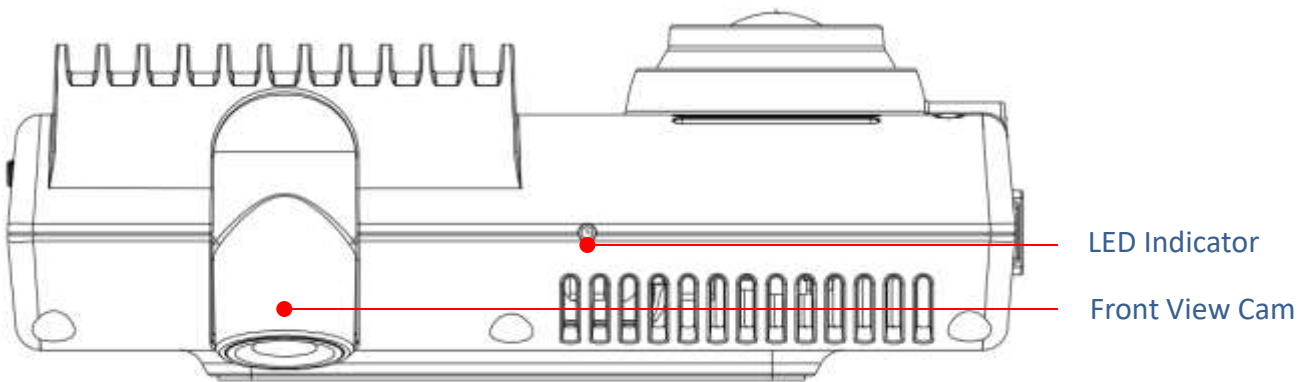
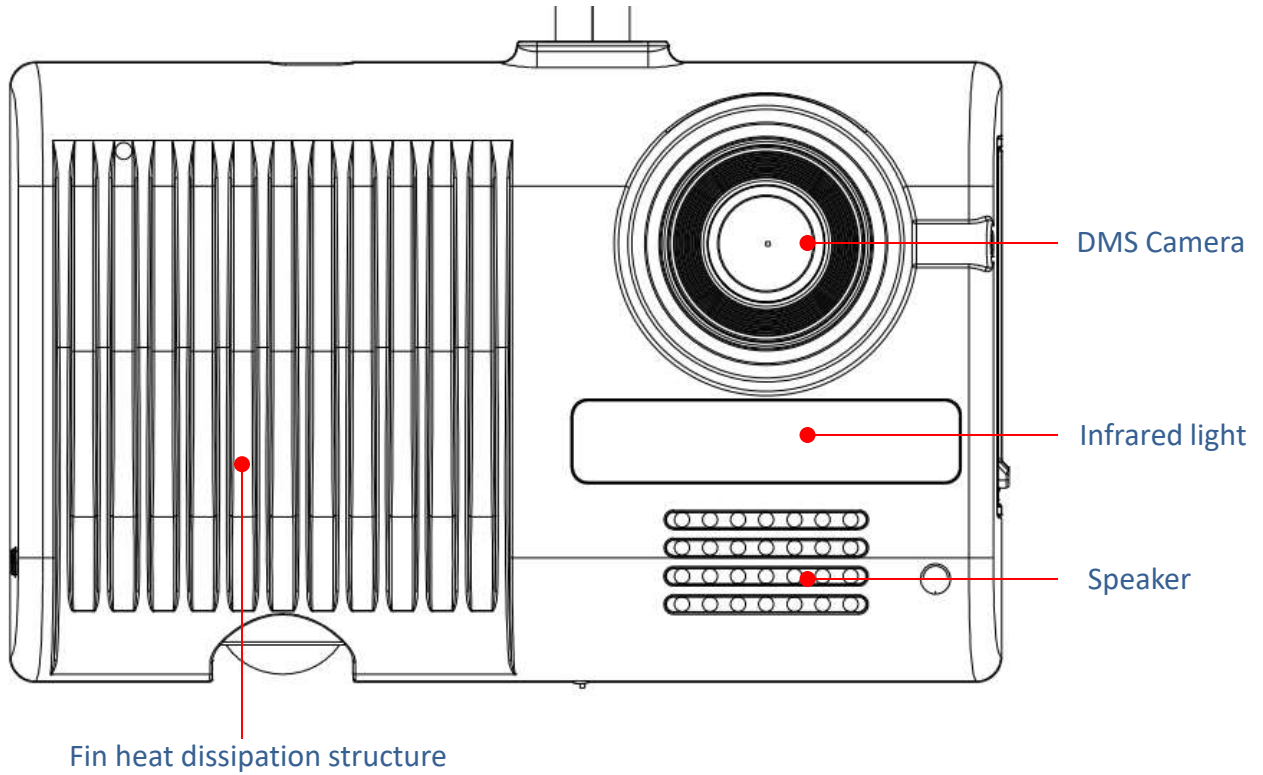


Fleet management



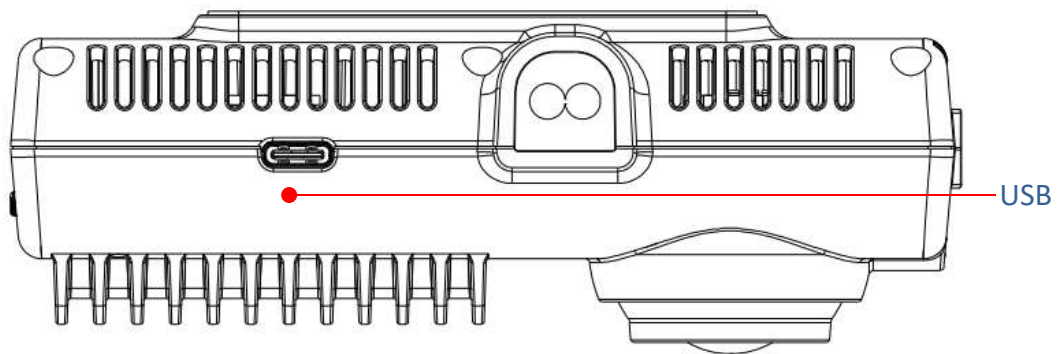
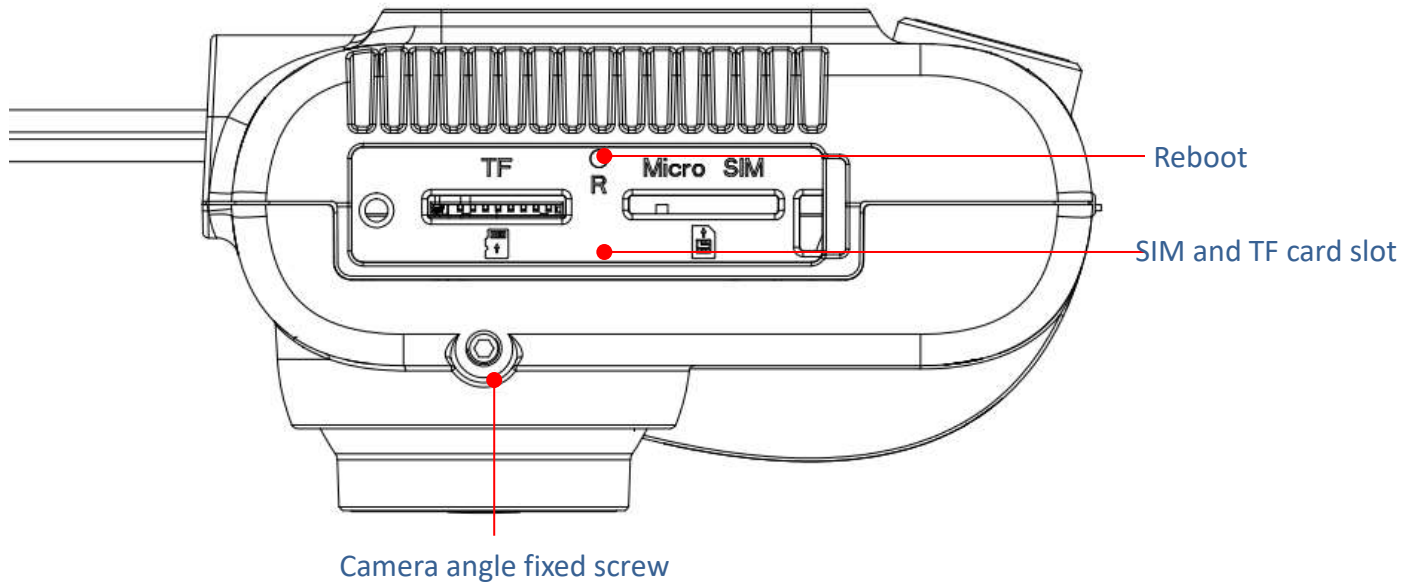
Appearance

Front view



Appearance

Side view



Video/Audio

Audio and video input	1080P*1/25 frame + 720P*1/25 frame
Video format	PAL
Compression standard	H.264/H.265
Image resolution	1080P/720P/D1/HD1/CIF
Video quality	1 to 8 levels are available , 1 is the highest quality, 8 is the lowest
Audio compression	G711A, G726-32K, G726-40K
Recording mode	Synchronous recording of audio and video
Video bit rate	Full frame 4Mbps, 8 optional levels of picture quality
Audio bit rate	8KB/s
Storage medium	TF card
Video query	It can be searched by channel and video type
Local playback	Playback by file

Network

Model	Region	Band	GNSS Type	Accuracy(CPE)
W5-E	EMEA	B1/3/5/7/8/20/28;LTE-TDD: B38/40/41; WCDMA: B1/8; GSM: B3/8	GPS+BD	<5m
W5-SA	Latin America	LTE-FDD: B1/2 /3/4/5/7/8/28/B66; LTE-TDD: B38/40/41; WCDMA: B1/2/5/8; GSM: B2/3/5/8	GPS+BD	<5m

Interface

Communication interface	Type-C interface, used for expanding IPC cameras
Wire	Support power cord (positive, negative, ACC, left and right turn, one-key alarm)
Intercom interface	Built-in speakers, 1 microphone
Indicator light	3 color LED light
WIFI	support
TF card	512GB
SIM card	Micro sim
ACC-IN	ACC, pick up the ACC line on the vehicle (for vehicles with ACC automatic start and stop, it is necessary to pay attention to the ACC line that is still live after the docking engine stops)
PWR_IN+	Power cord, connect to the 9-36V power supply on the vehicle
GND	Ground wire, connect to the ground wire on the vehicle
Panic button	Audio and video input
Left-turn signal	Connect to left turn signal for vehicle
Right-turn signal	Audio and video input
GPS antenna	SMA interface female connector, connect to external SMA interface male connector positioning antenna.
RS232	Optional

Basic

Power input	DC: 9V - 36V
Operating temperature	-20 - 70°C
Power consumption	Maximum power consumption of 7W, voltage of 12V/0.6A, voltage of 24V/0.3A, and standby power consumption of 0.7W
Size	Size
Weight	250g

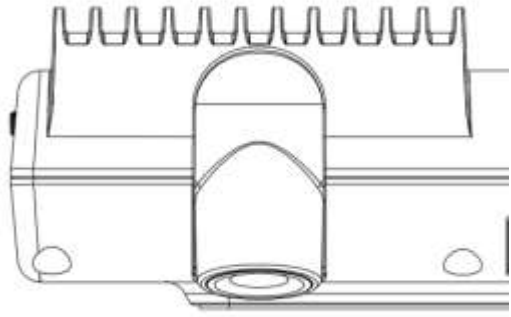
Additional Camera Accessories

The W5 supports 2 to 4 cameras in total, allowing for versatile applications like cargo and cabin monitoring, as well as driver behavior tracking.

ADAS Camera

Monitors the surroundings to detect road hazards and prevent collisions.

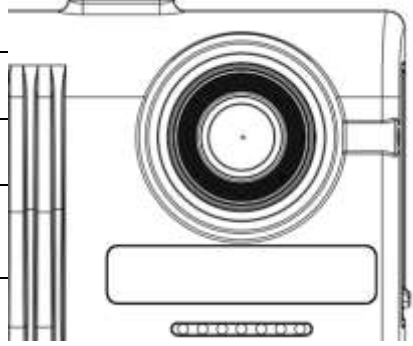
W5 ADAS camera specifications

Lens	DFOV: 140°	
Pixel	1920H × 1080V	
Output Format	Mipi	
Mirror function	Pre-image	
Maximum frame rate	30 fps	
Audio output	Doesn't support	
Operating Voltage	DC 3.3V	
Operating temperature	-20°C ~ 80°C	

DMS Camera

Monitors driver behavior to detect distraction and drowsiness.

W5 DMS camera specifications

Lens	DFOV:120°	
Pixel	1280H × 720V	
Output Format	Mipi	
Mirror function	Pre-image	
Maximum frame rate	25 fps	
Audio output	Not support	
Minimum illumination	940 infrared fill light	
Operating Voltage	DC 3.3V	
Operating temperature	-20°C ~ 80°C	

Rear/BSD Camera

Rear-view camera for recording rear and side vehicle footage, White light or infrared light can be selected.

W5 rear camera specifications

Size	53* 57*38 MM
Output Format	AHD PAL 720P
Optical Format	1/2.7
Pixel	1920H×1080V
Mirror function	Pre-image
Maximum frame rate	30fps
Audio Output	None
Audio Input	None
Protection level	IP68
Minimum illumination	With white LED fill light
Operating voltage	DC-12V
Operating temperature	-20°C ~ 70°C
Cable length	Normal 3 meter
Lens construction	6G
Aperture (FNo.)	2.2
Field of View (FOV°)	Horizontal 150°
Focal Length (EFL)	3.0mm±5%
Back focus	4.2mm
Total optical length (TTL)	17 mm±0.2
distortion	<20%

